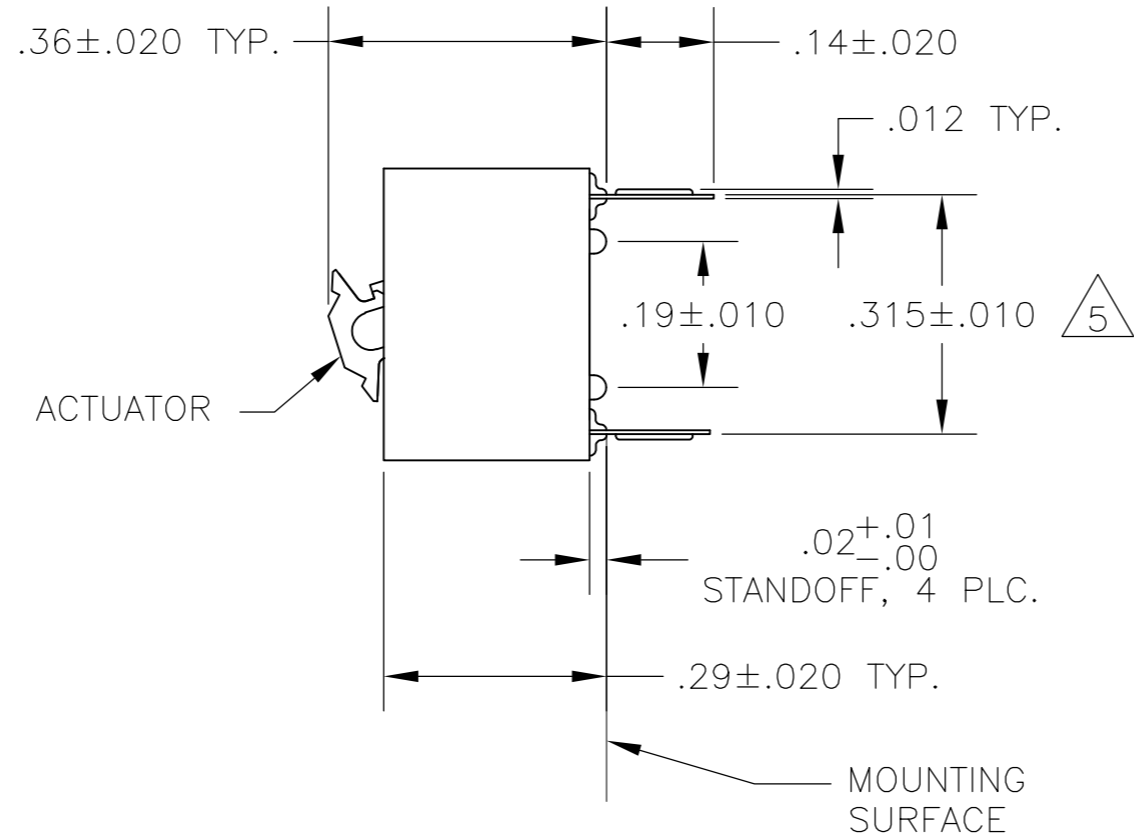
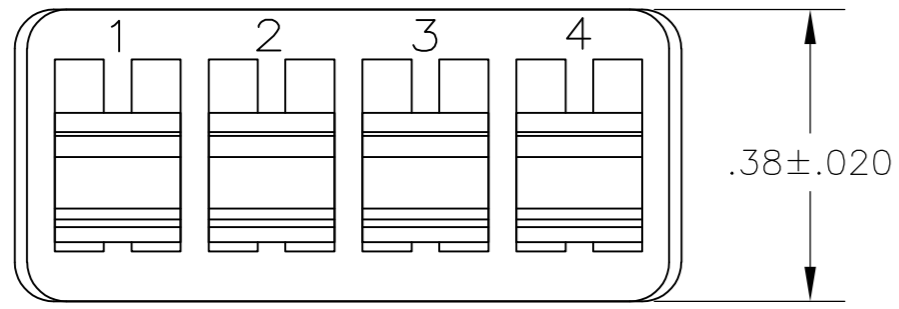


THIS DRAWING IS UNPUBLISHED. RELEASED FOR PUBLICATION
 © COPYRIGHT BY TYCO ELECTRONICS CORPORATION. ALL RIGHTS RESERVED.

LOC		DIST		REVISIONS			
P	LTR	DESCRIPTION	DATE	DWN	APVD		
AG	1						
	AE	REVISED PER ECO-05-002780	25MAY06	GS	MS		
	AE1	REVISED PER ECO-09-020932	04SEP09	KK	AEG		



- FOR ADDITIONAL SPECIFICATIONS SEE AMP PRODUCT SPEC 108-7519.
- SWITCH SHOWN IN OPEN POSITION.
- ALL CHARACTERS AND ROCKERS ARE WHITE, HOUSING IS BLACK.
- STAMPING WILL VARY ON 2 POSITION SIDES DUE TO SPACE RESTRICTIONS.

5 .315 DIMENSION APPLIES AT TERMINAL TIPS. TERMINALS ARE .300-.000 AT MOUNTING SURFACE.

6 ACTUATOR COLOR IS BLUE.

7 ALL MATERIALS AND FINISHES SHALL COMPLY WITH EU DIRECTIVE 2002/95/EC OF 27JAN2003 (ROHS)

8 OBSOLETE PARTS: OBSOLETE CIS STREAMLINING PER D.RENAUD/D.SINISI

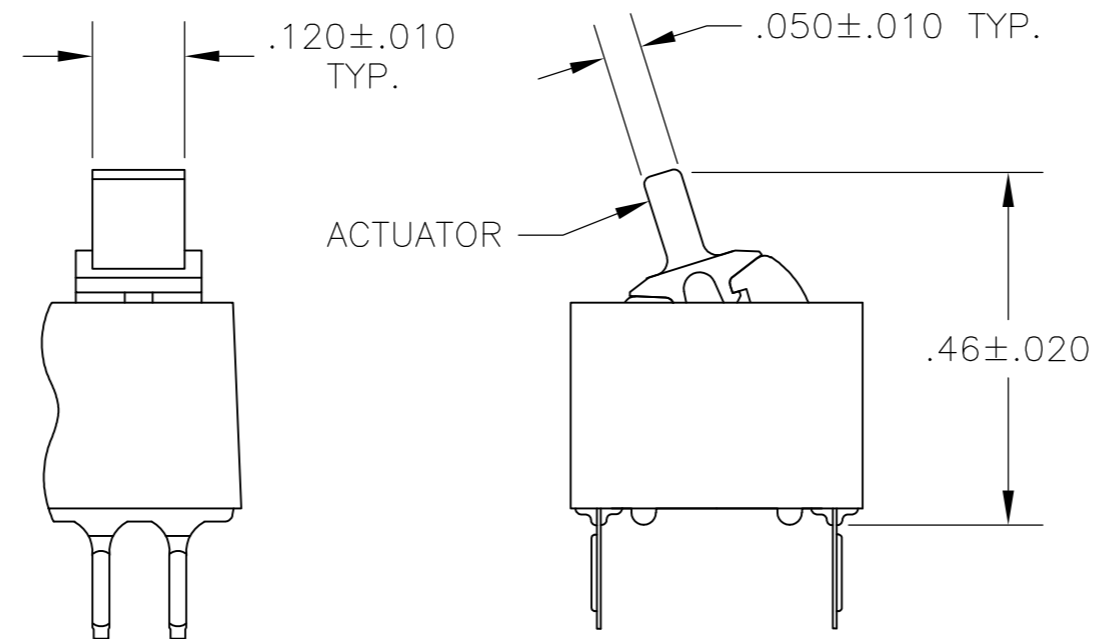
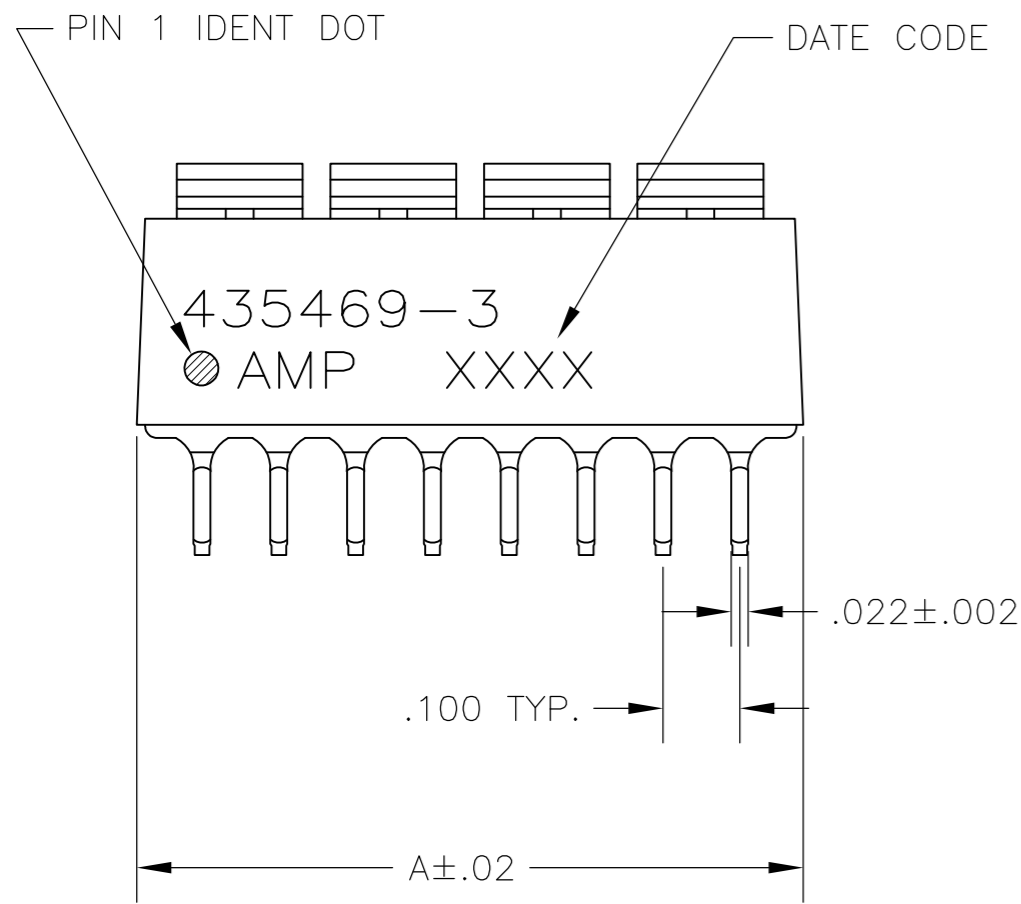


FIGURE 1
LEVER ACTUATOR SHOWN

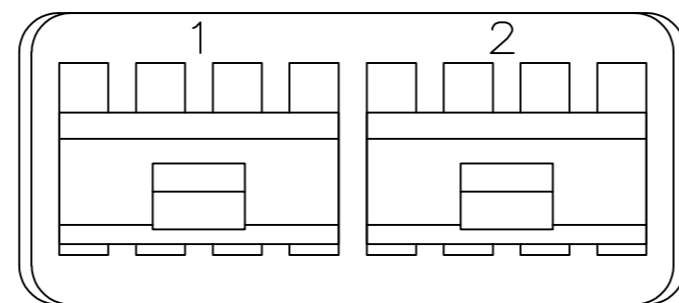
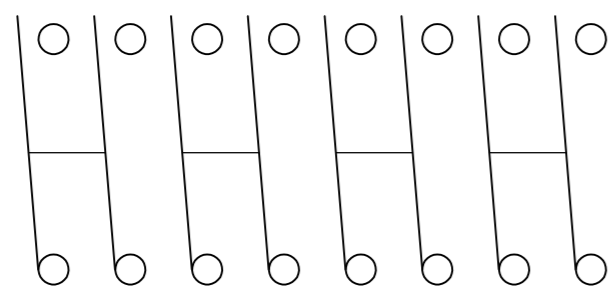
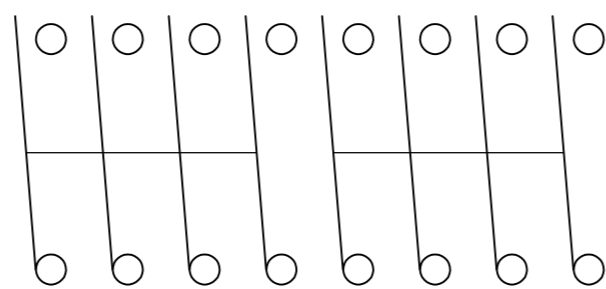


FIGURE 2



DPST



4PST

CONTACT ARRANGEMENT

7/8	OBSELETE	AS SHOWN	NONE	.28	DPST	2	8-435469-4	
		FIG 1	NONE	.48	4PST	4	8-435469-1	
		FIG 1	AS SHOWN	1.28	DPST	12	7-435469-6	
		FIG 1	AS SHOWN	1.08	DPST	10	7-435469-5	
		FIG 1	AS SHOWN	.88	DPST	8	7-435469-4	
		FIG 1	AS SHOWN	.68	DPST	6	7-435469-3	
		FIG 1	AS SHOWN	.48	DPST	4	7-435469-2	
		FIG 1	NONE	.28	DPST	2	7-435469-1	
		AS SHOWN	NONE	.28	DPST	2	5-435469-9	
		AS SHOWN	NONE	.48	4PST	4	5-435469-7	
		AS SHOWN	AS SHOWN	.88	DPST	8	5-435469-3	
		AS SHOWN	NONE	.28	DPST	2	3-435469-4	
		FIG 1	FIG 2	.88	4PST	8	3-435469-2	
		FIG 1	NONE	.48	4PST	4	3-435469-1	
		FIG 1	AS SHOWN	1.28	DPST	12	2-435469-6	
		FIG 1	AS SHOWN	1.08	DPST	10	2-435469-5	
		FIG 1	AS SHOWN	.88	DPST	8	2-435469-4	
		FIG 1	AS SHOWN	.68	DPST	6	2-435469-3	
		FIG 1	AS SHOWN	.48	DPST	4	2-435469-2	
		FIG 1	NONE	.28	DPST	2	2-435469-1	
		SUPERSEDED BY 2-435469-6	AS SHOWN	AS SHOWN	1.28	DPST	12	1-435469-0
		AS SHOWN	NONE	.28	DPST	2	435469-9	
		AS SHOWN	NONE	.48	4PST	4	435469-7	
		AS SHOWN	FIG 2	.88	4PST	8	435469-6	
		AS SHOWN	AS SHOWN	1.08	DPST	10	435469-4	
		AS SHOWN	AS SHOWN	.88	DPST	8	435469-3	
		AS SHOWN	AS SHOWN	.68	DPST	6	435469-2	
		AS SHOWN	AS SHOWN	.48	DPST	4	435469-1	

SUPERSEDED BY 2-435469-6

THIS DRAWING IS A CONTROLLED DOCUMENT.		DWN R.TALLEY 3-15-90	Tyco Electronics Corporation Harrisburg, Pa 17105-3608	
DIMENSIONS: INCHES		CHK R.MILLER 3-27-90	NAME	
TOLERANCES UNLESS OTHERWISE SPECIFIED:		APVD H.LEITER 3-27-90	SWITCH ASSY, DIP, TYPE C, 7000 SERIES, DPST & 4PST	
0 PLC ± -		PRODUCT SPEC	SIZE CAGE CODE DRAWING NO RESTRICTED TO	
1 PLC ± -		APPLICATION SPEC	A2 00779 C=435469	
2 PLC ± -		FINISH	SCALE 4:1 SHEET 1 OF 1 REV AE1	
3 PLC ± .005		CONTACTS: PLATED .000030 MIN. GOLD IN CONTACT AREA OVER .000050 MIN. NICKEL		
4 PLC ± -		CONTACTS: BERYLLIUM COPPER		
ANGLES ± -		WEIGHT -		
MATERIAL		CUSTOMER DRAWING		